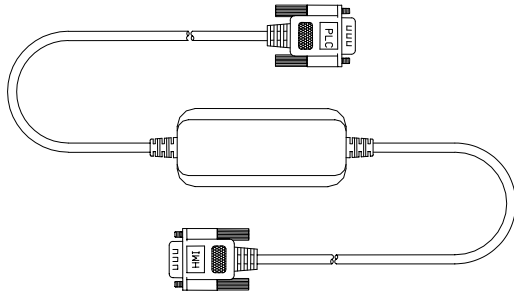


MT5-MPI cable

MT500/Siemens S7-300
MPI converter



Features

- Direct connect MT500 and S7-300 MPI port
- Low cost
- Compact size.
- Without external power supply.

Introduction

The MT5-MPI cable converts the Siemens S7-300 MPI network to MT500 RS232.

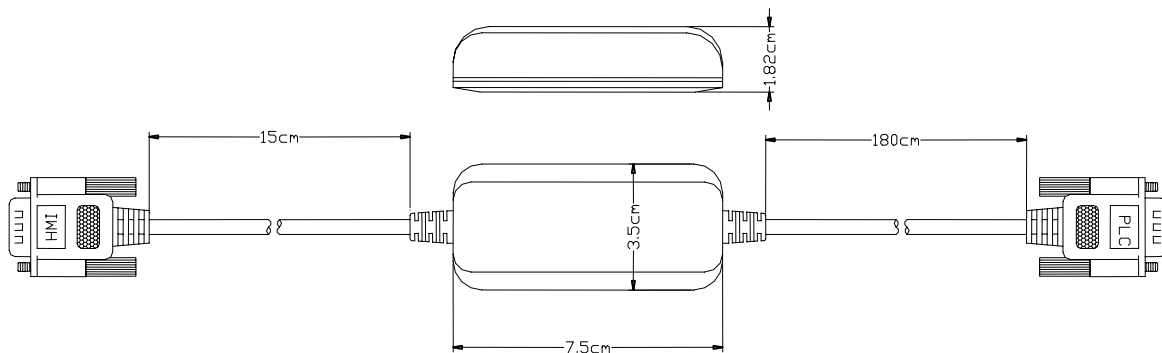
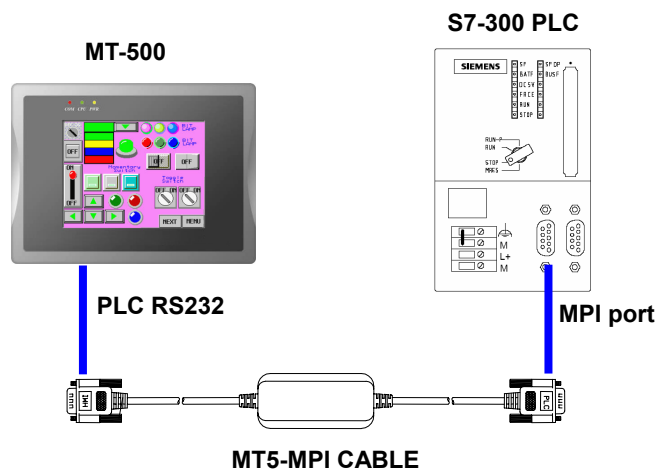
Ordering Information

- MT5-MPI:
MT500 MPI cable.

Specifications

MT500 setting:
PLC type: Siemens S7/300 PC adapter
PLC I/F port: RS-232
Baud rate: 19200
Data bits: 8 Bits
Parity: Odd
Stop bits: 1Bit
HMI station No.: 0
PLC station No.: 2

Dimension (W x H x D): **75mm x 35mm x 18.2mm**
 HMI RS232 cable length: **15cm**
 PLC side cable length: **180cm**
 Power: **MT500 supply.**



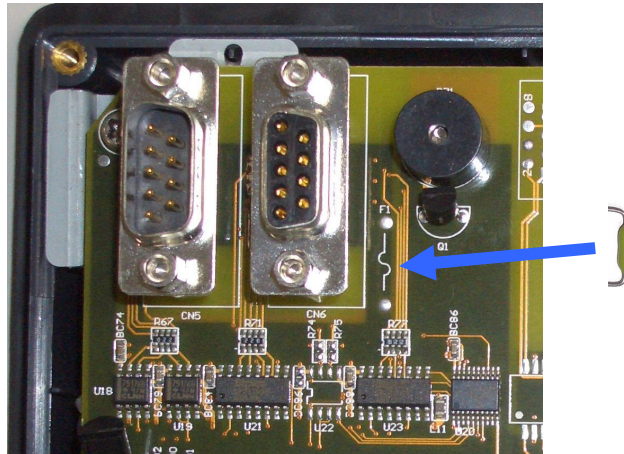
MT5-MPI cable

MT500/Siemens S7-300
MPI converter



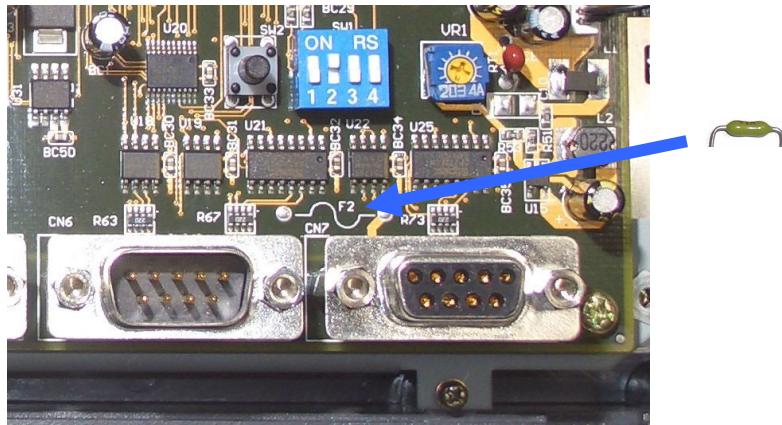
MT-506xV4

Add fuse to F1 position.



MT-508SV4 and
MT-509MV4

Add fuse to F2 position.



MT-510 V4

Add fuse to F2 position.

